



INDUSTRY CENTRIFUGAL PUMP

Model

CMI Series



CMI

CONSTRUCTION:

PUMP Centrifugal - Big Capacity

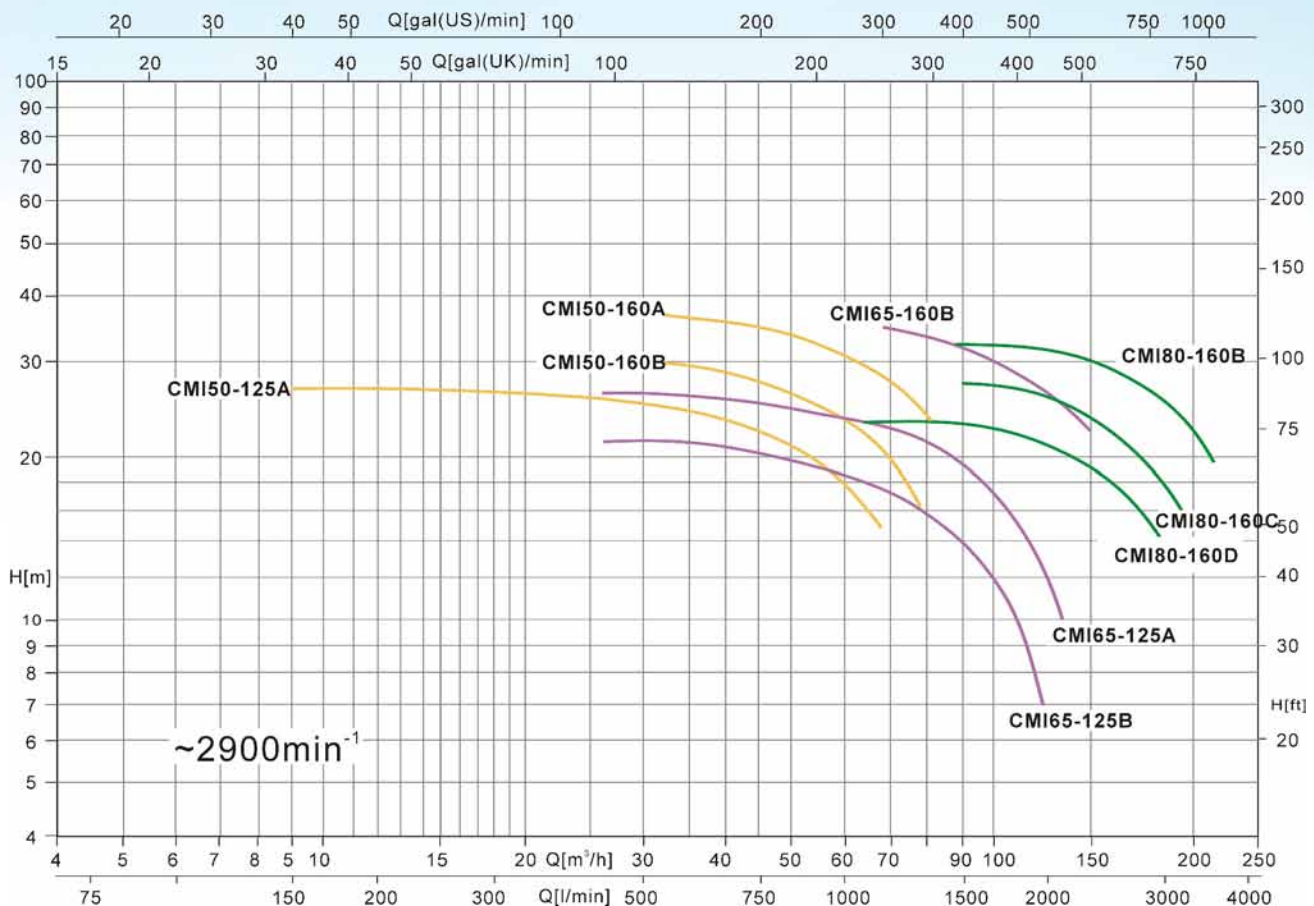
Pump Body: Cast Iron
 Impeller: Brass / Cast Iron
 Mechanical Seal: Carbon / Ceramic / Stainless steel

MOTOR Single Phase Heavy Duty Continuous Work

Motor Housing: Aluminium
 Shaft: Carbon Steel / Stainless Steel
 Insulation: Class B / Class F
 Protection: IP44 / IP54
 Cooling: External ventilation

USES - Monobloc horizontal centrifugal pumps, constructed to EN 733 standards; widely used in water supplies, pressurisation and fire-fighting systems, standard supply with counter-flange.

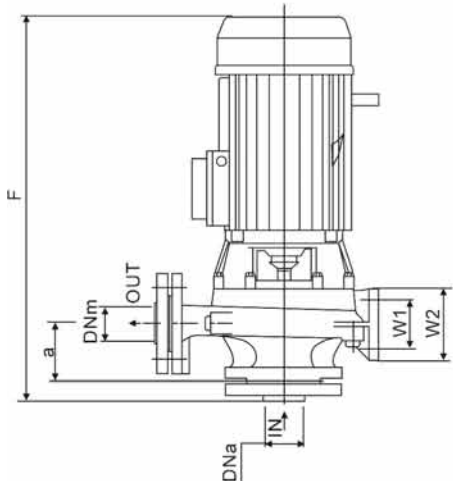
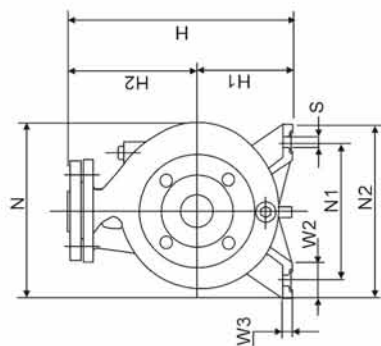
Main application: household water pumping, circulation and domestic power boosting.
 High building water supplying boosting.
 Industry water supplying circulating boosting.



Packing dimensions



DN	D	K	holes	
			n°	Ø
32	140	100	4	18
40	150	110	4	18
50	165	125	4	18
65	185	145	4	18
80	200	160	4	18
100	220	180	8	18



INSTALLATION DIMENSION

TYPE	DIMENSIONS (mm)														Kg				
	DNM	DNa	A	F	H	H1	H2	N	N1	N2	W	W1	W2	W3		S	I	L	M
CMI 50-125 A	50	65	100	525	292	132	160	250	190	240	100	70	50	12	14	520	260	355	50
CMI 50-160 B	50	65	100	590	340	150	180	270	212	265	100	70	50	12	14	615	310	460	65
CMI 50-160 A	50	65	100	590	340	150	180	270	212	265	100	70	50	12	14	615	310	460	71
CMI 65-125 B	65	80	100	605	340	160	180	280	212	280	125	95	65	14	14	615	310	460	64
CMI 65-125 A	65	80	100	605	340	160	180	280	212	280	125	95	65	14	14	615	310	460	70
CMI 65-160 B	65	80	100	635	360	160	200	290	212	280	125	95	65	14	14	665	335	535	90
CMI 80-160 D	80	100	125	665	405	180	225	330	250	320	125	95	65	14	14	665	335	535	98.5
CMI 80-160 C	80	100	125	735	405	180	225	330	250	320	125	95	65	14	14	735	355	535	129
CMI 80-160 B	80	100	125	780	405	180	225	330	250	320	125	95	65	14	14	815	355	535	143

TECHNICAL DATA

Model	P2 nom	P1 max.	I 3x400V 50Hz	HP/KW	KW	Q(m³/h-L/min)															H(m)																		
						0	15	18	21	24	27	30	33	36	39	42	48	54	60	66		72	78	84	96	108	120	132	144	156	168	180	195	210					
CMI 50-125 A (*)	5.5/4	5.7	9.9	24.5	25.0	24.9	24.8	24.6	24.4	24.2	23.8	23.5	23.1	22.7	21.8	20.8	19.6	18.1	16.5																				
CMI 50-160 B	7.5/5.5	6.7	11.6	30.2		30.5	30.3	30.1	29.8	29.5	29.0	28.5	28.0	26.7	25.1	23.3	21.3	19.1	16.8																				
CMI 50-160 A	10/7.5	9.4	15.8	36.3		37.0	36.9	36.8	36.6	36.4	36.1	35.6	35.1	34.0	32.6	31.0	29.1	26.9	24.5																				
CMI 65-125 B	7.5/5.5	7.2	12.3	19.8		21.0	20.8	20.7	20.6	20.5	20.4	20.1	19.7	19.3	18.8	18.3	17.7	16.1	14.3	12.3																			
CMI 65-125 A	10/7.5	9.5	15.9	24.2		24.8	24.7	24.6	24.5	24.4	24.3	24.1	23.9	23.7	23.4	22.8	22.3	20.9	19.4	17.5	15.0																		
CMI 65-160 B	15/11	13	22.5	34.0											34.6	34.4	34.2	34.0	33.7	33.3	32.8	32.1	30.6	28.8	26.7	24.1	21.1												
CMI 80-160 D	15/11	12.3	20.8	24.0																			25.6	25.3	25.1	24.7	23.9	22.9	21.8	20.6	19.3	17.9	16.3	14.6					
CMI 80-160 C	20/15	14.9	25.8	29.0																			29.6	29.3	29.0	28.7	28.1	27.0	25.9	24.7	23.4	22.0	20.4	18.7	16.4				
CMI 80-160 B	25/18.5	19.2	35.0	33.5																			34.1	33.9	33.7	33.4	32.7	32.0	31.0	30.0	29.0	27.7	26.4	25.0	22.9	20.3			