

## KHP2 离心泵 CENTRIFUGAL PUMP



### CONSTRUCTION

#### PUMP: Centrifugal

Pump Body: Cast Iron  
Impeller: Brass  
Mechanical Seal: Carbon + Ceramic + Stainless Steel + Rubber  
Front Cover: Cast Iron

#### MOTOR: Single Phase Heavy Duty Continuous Work

Motor Housing: Aluminium  
Shaft: Carbon Steel / 304 Stainless Steel Welded / 420 Stainless Steel  
Insulation: Class B / Class F  
Protection: IP44 / IP54  
Cooling: External Ventilation

### 结构特征

#### 泵: 单级离心泵

泵体: 铸铁  
叶轮: 铜  
机械密封: 石墨+陶瓷+不锈钢+橡胶  
前端盖: 铸铁

#### 电机: 单相大马力连续工作制

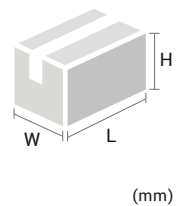
电机机座: 铝压铸  
转轴: 45#碳钢/304不锈钢焊接轴/整轴420不锈钢  
绝缘等级: B级/F级  
防护等级: IP44/IP54  
冷却方式: 风冷



4KHP2-6BR

### 包装尺寸及毛重 PACKAGE DIMENSIONS & G.W.

| 型号 Model    |            | 长 L | 宽 W | 高 H | 重量 KG | 1X20"柜数量 QTY (pcs) | 1X20"FCL |
|-------------|------------|-----|-----|-----|-------|--------------------|----------|
| 单相 Monofase | 三相 Trifase | L   | W   | H   | KG    | QTY (pcs)          |          |
| 2KHP2-4     | 2KHP4      | 41  | 23  | 30  | 20    | 800                |          |
| 3KHP2-6c    | 3KHP6C     | 51  | 29  | 36  | 28.5  | 500                |          |
| 3KHP2-6B    | -          | 51  | 29  | 36  | 29    | 500                |          |
| -           | 3KHP6B     | 51  | 29  | 36  | 29.5  | 500                |          |
| -           | 3KHP6A     | 51  | 29  | 36  | 30.5  | 500                |          |
| 4KHP2-6CR   | 4KHP6CR    | 51  | 29  | 36  | 29.5  | 500                |          |
| 4KHP2-6BR   | -          | 51  | 29  | 36  | 30.5  | 500                |          |
| -           | 4KHP6BR    | 51  | 29  | 36  | 30.5  | 500                |          |
| -           | 4KHP6AR    | 51  | 29  | 36  | 31    | 500                |          |
| -           | 4KHP8B     | 51  | 29  | 36  | 31.5  | 500                |          |
| -           | 4KHP8A     | 51  | 29  | 36  | 33    | 500                |          |
| -           | 4KHP20B    | 51  | 29  | 36  | 31.5  | 500                |          |
| -           | 4KHP20A    | 51  | 29  | 36  | 33    | 500                |          |



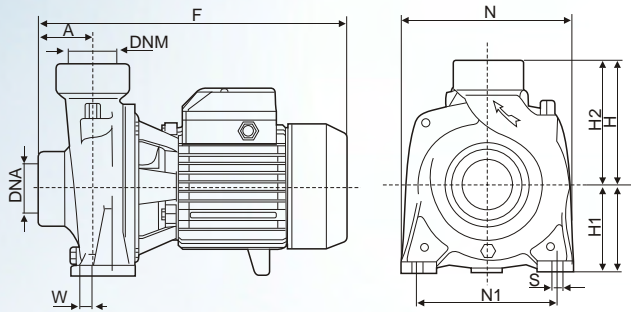
安装尺寸图请查看58页。For installation dimensions, please reference to page 58.

### 技术参数 PERFORMANCE SPECIFICATIONS

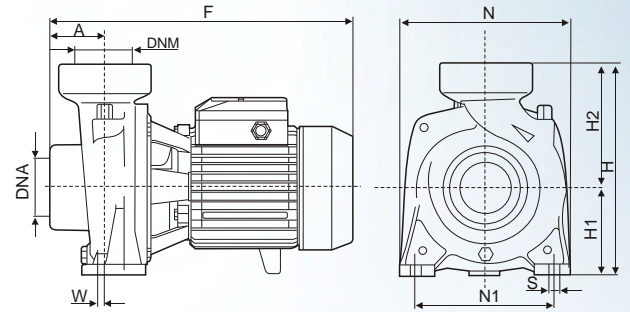
| 型号 Model    |            | 功率 Power | 电流 Ampere (A) | 最大吸程 Suct. max (m) | 进出口管径 Inlet/Outlet DIA | 流量 Q=capacity |     |           |       |      |      |      |      |      |      |      |      |      |      |    |    |     |    |    |    |
|-------------|------------|----------|---------------|--------------------|------------------------|---------------|-----|-----------|-------|------|------|------|------|------|------|------|------|------|------|----|----|-----|----|----|----|
| 单相 Monofase | 三相 Trifase |          |               |                    |                        | HP            | kW  | 220V/50Hz | m³/h0 | 6    | 12   | 18   | 24   | 30   | 36   | 42   | 48   | 54   | 60   | 66 | 72 | 78  | 84 | 90 | 96 |
|             |            |          |               |                    |                        | 扬程 H (m)      |     |           |       |      |      |      |      |      |      |      |      |      |      |    |    |     |    |    |    |
| 2KHP2-4     | 2KHP4      | 1        | 0.75          | 5.2                | 2"x2"                  | 10            | 9.8 | 9.3       | 8.7   | 8    | 7    | 6    | 4.7  | 3    | -    | -    | -    | -    | -    | -  | -  | -   | -  | -  | -  |
| 3KHP2-6c    | 3KHP6C     | 1.5      | 1.1           | 7.8                | 3"x3"                  | 11.9          | -   | 11.7      | 11.3  | 10.7 | 10.2 | 9.2  | 8    | 6.7  | 5    | 3    | -    | -    | -    | -  | -  | -   | -  | -  | -  |
| 3KHP2-6B    | 3KHP6B     | 2        | 1.5           | 9.6                | 3"x3"                  | 14.7          | -   | 14.5      | 14    | 13.5 | 12.8 | 12   | 11   | 9.7  | 8.2  | 6.7  | 5    | -    | -    | -  | -  | -   | -  | -  | -  |
| -           | 3KHP6A     | 3        | 2.2           | 13.8               | 3"x3"                  | 18.5          | -   | 18.1      | 17.8  | 17.2 | 16.8 | 16   | 15   | 13.8 | 12.2 | 10.5 | 8.3  | 6    | -    | -  | -  | -   | -  | -  | -  |
| 4KHP2-6CR   | 4KHP6CR    | 1.5      | 1.1           | 7.8                | 4"x4"                  | 11.9          | -   | 11.7      | 11.3  | 10.7 | 10.2 | 9.2  | 8    | 6.7  | 5    | 3    | -    | -    | -    | -  | -  | -   | -  | -  | -  |
| 4KHP2-6BR   | 4KHP6BR    | 2        | 1.5           | 9.6                | 4"x4"                  | 14.7          | -   | 14.5      | 14    | 13.5 | 12.8 | 12   | 11   | 9.7  | 8.2  | 6.7  | 5    | -    | -    | -  | -  | -   | -  | -  | -  |
| -           | 4KHP6AR    | 3        | 2.2           | 13.8               | 4"x4"                  | 18.5          | -   | 18.1      | 17.8  | 17.2 | 16.8 | 16   | 15   | 13.8 | 12.2 | 10.5 | 8.3  | 6    | -    | -  | -  | -   | -  | -  | -  |
| -           | 4KHP8B     | 4        | 3             | 18                 | 4"x4"                  | 21.5          | -   | 21        | 20.7  | 20   | 19.5 | 18.8 | 17.8 | 16.5 | 15   | 13.5 | 11.2 | 9    | -    | -  | -  | -   | -  | -  | -  |
| -           | 4KHP8A     | 5.5      | 4             | -                  | 4"x4"                  | 24.5          | -   | 24        | 23.5  | 23   | 22.5 | 21.8 | 20.8 | 19.5 | 18.3 | 16.8 | 15   | 13   | -    | -  | -  | -   | -  | -  | -  |
| -           | 4KHP20B    | 4        | 3             | 13.8               | 4"x4"                  | 16            | -   | -         | -     | 15.5 | 15.4 | 15.3 | 15.2 | 15   | 14.5 | 14   | 13   | 12   | 10.7 | 9  | 7  | 4.8 | 2  | -  | -  |
| -           | 4KHP20A    | 5.5      | 4             | -                  | 4"x4"                  | 19            | -   | -         | -     | 18.5 | 18.4 | 18.3 | 18.2 | 18   | 17.5 | 17   | 16.2 | 15.2 | 13.7 | 12 | 10 | 7.8 | 5  | 2  | -  |

\*110V,110/220V/60Hz etc. Models are available on request.

## 离心泵系列 CENTRIFUGAL PUMP SERIES



KHP1 Series



KHP2 Series

### 安装尺寸 INSTALLATION DIMENSIONS

| 型号 Model      |               | 尺寸 DIMENSIONS (mm) |     |     |     |     |     |     |    |       |
|---------------|---------------|--------------------|-----|-----|-----|-----|-----|-----|----|-------|
| 单相 Monofase   | 三相 Trifase    | A                  | F   | H   | H1  | H2  | N   | N1  | W  | S     |
| 1.5KHP1-50B   | 1.5KNP50B     | 45                 | 276 | 200 | 82  | 118 | 165 | 135 | 1  | 15.30 |
| 1.5KHP1-50A   | -             | 45                 | 283 | 200 | 82  | 118 | 165 | 135 | 1  | 15.80 |
| -             | 1.5KNP51A     | 45                 | 276 | 200 | 82  | 118 | 165 | 135 | 1  | 16.30 |
| 1.5KHP1-51B-A | 1.5KNP1-51B-A | 45                 | 300 | 225 | 92  | 133 | 190 | 160 | 4  | 16.80 |
| 1.5KHP1-60    | 1.5KNP60      | 48.8               | 347 | 269 | 114 | 155 | 216 | 171 | 12 | 18.50 |
| 1.5KHP1-70B   | -             | 48.5               | 367 | 269 | 114 | 155 | 216 | 171 | 12 | 19.50 |
| -             | 1.5KNP-70B    | 48.5               | 347 | 269 | 114 | 155 | 216 | 171 | 12 | 19.50 |
| -             | 1.5KNP-70A    | 48.5               | 367 | 269 | 114 | 155 | 216 | 171 | 12 | 20    |
| 2KHP1-B-A     | 2KNP-5C-B-A   | 60                 | 332 | 238 | 97  | 141 | 196 | 160 | 14 | 20    |
| 2KHP1-5BM     | 2KNP-5BM      | 51                 | 360 | 260 | 110 | 150 | 206 | 160 | 1  | 24    |
| 2KHP1-5AM     | -             | 51                 | 380 | 260 | 110 | 150 | 206 | 160 | 1  | 25    |
| -             | 2KNP-5AM      | 51                 | 360 | 260 | 110 | 150 | 206 | 160 | 1  | 25    |
| 2KHP2-4       | 2KHP4         | 55                 | 323 | 240 | 97  | 143 | 190 | 155 | -  | 20    |
| 3KHP2-6c      | 3KHP6C        | 68                 | 385 | 312 | 120 | 192 | 240 | 190 | 6  | 28.5  |
| 3KHP2-6B      | -             | 68                 | 405 | 312 | 120 | 192 | 240 | 190 | 6  | 29    |
| -             | 3KHP6B        | 68                 | 385 | 312 | 120 | 192 | 240 | 190 | 6  | 29.5  |
| -             | 3KHP6A        | 68                 | 405 | 312 | 120 | 192 | 240 | 190 | 6  | 30.5  |
| 4KHP2-6CR     | 4KHP6CR       | 70                 | 387 | 312 | 120 | 192 | 240 | 190 | 6  | 29.5  |
| 4KHP2-6BR     | -             | 70                 | 407 | 312 | 120 | 192 | 240 | 190 | 6  | 30.5  |
| -             | 4KHP6BR       | 70                 | 387 | 312 | 120 | 192 | 240 | 190 | 6  | 30.5  |
| -             | 4KHP6AR       | 70                 | 407 | 312 | 120 | 192 | 240 | 190 | 6  | 31    |
| -             | 4KHP8B        | 80                 | 429 | 312 | 132 | 180 | 245 | 190 | 30 | 31.5  |
| -             | 4KHP8A        | 80                 | 475 | 312 | 132 | 180 | 245 | 190 | 30 | 33    |
| -             | 4KHP20B       | 80                 | 429 | 312 | 132 | 180 | 245 | 190 | 30 | 31.5  |
| -             | 4KHP20A       | 80                 | 475 | 312 | 132 | 180 | 245 | 190 | 30 | 33    |